

# TECNIUM®



TECNIUM®

塑料离心潜液泵 PLASTIC CENTRIFUGAL SUMP PUMPS



# PUMPS

**TECNIUM**, since 1957 optimizing industrial processes

# BT/BA系列悬轴潜液泵 BT/BAMODELS CANTILEVERED SHAFT SUMP PUMPS

## 技术特点

- 强化的支撑套筒
- 悬臂式轴
- 液下不需导向轴承
- 特别适合含有固体颗粒的介质

专门设计以适合含有固体颗粒的介质。悬臂式轴不需使用浸没在介质中的导向轴承，从而消除了任何摩擦并实现了泵的免维护。

这种泵能够吸上低于泵体几米的液体。通过增加吸入尾管，这种泵可以吸尽容器里的液体。

## TECHNICAL ADVANTAGES

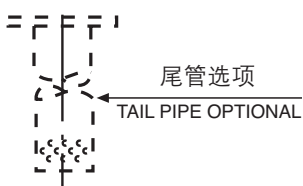
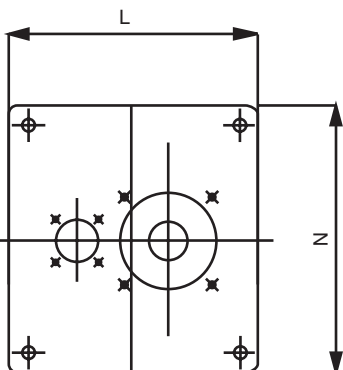
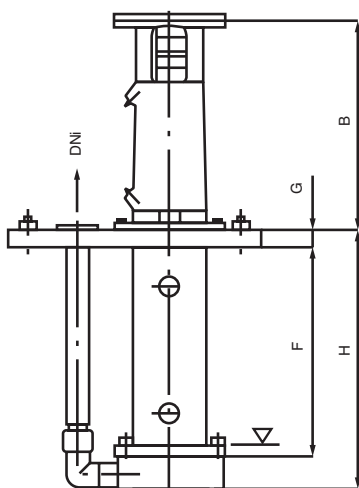
- WITH REINFORCED COLUMN
- CANTILEVERED SHAFT
- NO GUIDE BEARING IN THE LIQUID
- SPECIALLY SUITABLE FOR LIQUIDS WITH SOLID PARTICLES

Specially designed for liquids with solids. Cantilevered shaft avoid the necessity of submerged guide bearing, in a way that eliminates any friction and pump maintenance.

This pump can suck up a liquid several meters under it. By means of a suction tail pipe the pump can exhaust the liquid of the recipient in which it is installed.

## 尺寸 DIMENSIONS

### BT/BA系列



### BA Model

泵型号 PUMP TYPE	泵PUMP			法兰Flange	支撑座Platform		
	H	B	F	DNi	L	N	G
2.10	776	356	720	25	340	360	30
3.12	718	416	666	32	430	430	40
3.16	800	417	730	32	430	430	45
4.12	734	417	669	40	430	430	40
4.16	718	417	580	40	530	450	40
5.12	740	417	604	50	540	450	40

### BT Model

泵型号 PUMP TYPE	泵PUMP			法兰Flange	支撑座Platform		
	H	B	F	DNi	L	N	G
2.10	812	356	700	25	340	360	12
3.12	1110	418	940	32	430	430	12
3.16	1215	417	1064	32	430	430	12
4.12	1215	417	1050	40	430	430	12
4.16	1215	606	1050	40	530	450	16
4.20	1218	606	1050	40	530	510	16
5.12	1218	606	1030	50	540	450	18
5.16	1215	606	1065	50	530	515	16
* 5.20	1218	606	1065	50	530	515	16
* 5.25	1158	606	960	50	600	515	18
5.31	1262	606	1032	50	650	515	16
6.16	1240	606	1000	65	650	515	16
6.20	1155	606	1000	65	715	515	16
6.25	1271	606	1030	65	650	515	16
8.20	1420	885	1185	80	875	725	15
8.40	1155	885	990	80	1150	910	22
10.31	1274	885	1010	100	1200	800	22
12.25	1286	885	1010	125	1250	800	22
15.25	1289	885	987	150	1500	1000	22
15.31	1126	606	1010	150	1500	1000	22

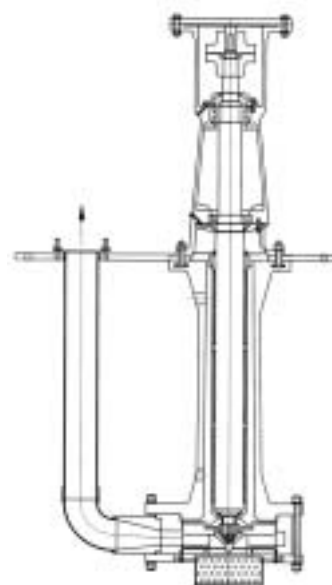
\* 1500 rpm. la cota B= 417

法兰 DIN-2501 PN-16  
 根据需要可提供 ANSI 150Lbs  
 FLANGES DIN-2501 PN-16  
 ANSI 150 Lbs available on request

例如EXAMPLE BT S KK 5.20  
 类型 密封 材质 型号  
 Model Sealing Material Type

### 泵材质

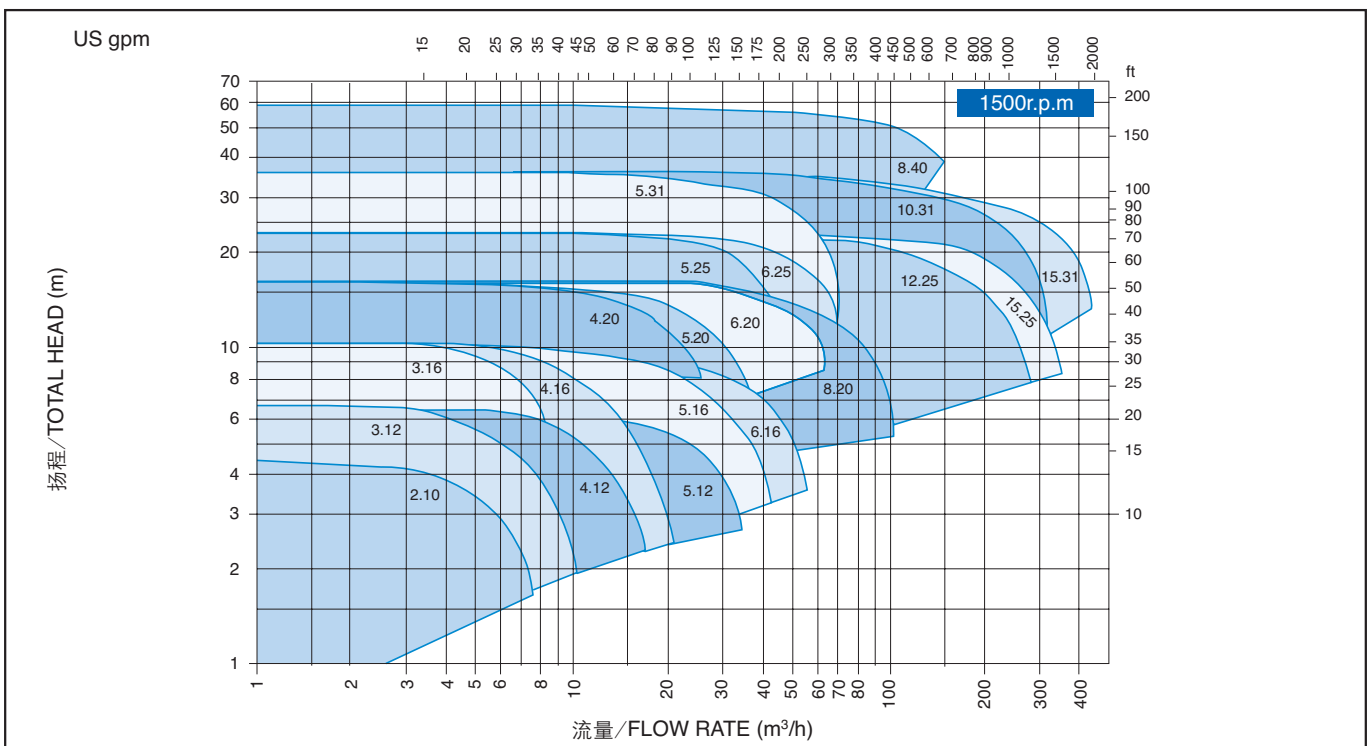
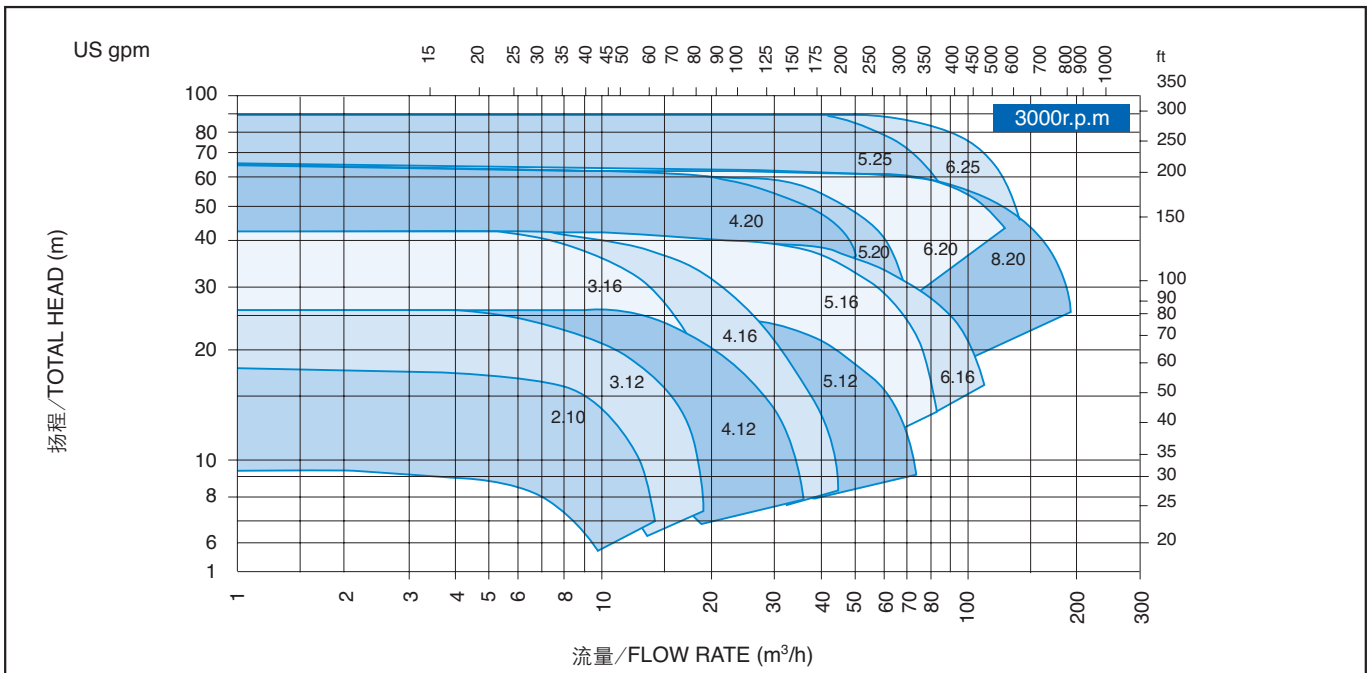
Construction Materials:  
 PP-PE-PVC-PVDF-PTFE-E-CTFE



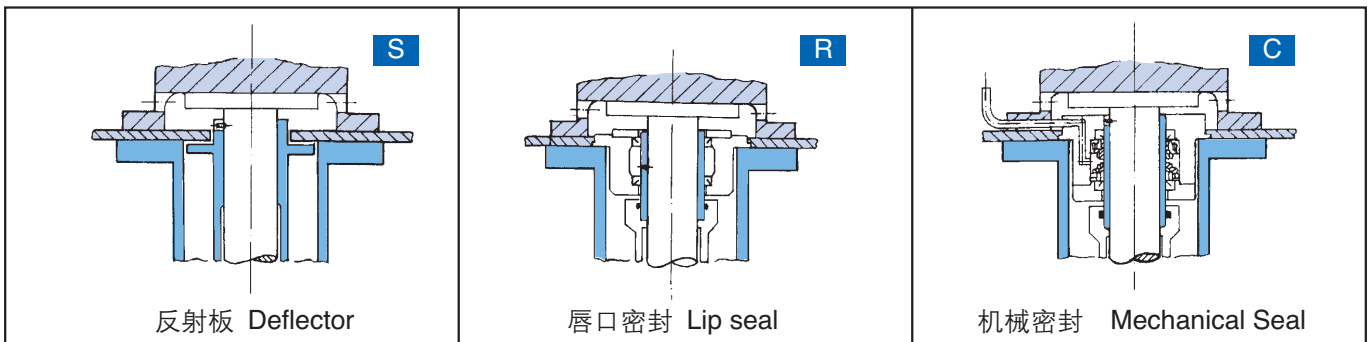
材质代号  
 Materials Keys:

- K=PP
- L=PVDF
- R=PE
- V=PVC
- E=PTFE
- Y=E-CTFE

# BT/BA系列50Hz选型表 BT/BA MODELS 50 HZ PUMP SELECTION CHART



## 蒸汽密封 VAPOURS SEALING



## 其他泰克尼姆泵 SOME OTHER TECNIUM PUMPS



符合机械安全欧洲标准

In accordance with European directives of Safety on Machines



### QUALITY SYSTEM

质量体系执行ISO9001-2000标准

Quality system according to ISO 9001-2000

### ATEX

可以提供符合94/9/CE标准安装在防爆场合的系列泵

Available versions according to directive 94/9/CE for equipments installed in ex-proof zones classified

## 大连泰克尼姆环保设备有限公司

Dalian Tecnum Environmental Equipment Co.,Ltd.

E-mail: info@tecnum.cn Website: <http://www.tecnum.es>